

# The APM family



## Overview

**APM100/300** and **APM110** are kW- monitors with embedded functions for the control and supervision of AC-motor driven equipment. Units are suitable for mains supply up to 3x500V and include an integral current sensor for up to 80A ac.

**APM100** is a measurement transducer with analog outputs 0(4)-20 mA and 0-10V. The kW range is programmed in steps of 0.1 kW up to a maximum of 70 kW. A kWh function is available as an option with isolated S01 output (APM100B).

**APM300** is a 3 Phase version of APM100 which uses external current transformers.

**APM110** is a Load Monitor with 2 limits and 1 output relay. Limit 1 is a Max limit and Limit 2 is a Min limit. Measurement range/Limit 1 is digitally programmable in kW in steps of 0.01/0.1 kW up to a maximum of 70 kW. Limit 2 is programmable from 15 to 60% of the measurement range in steps of 3%. The unit is equipped with Start timer and Response timers.

**APM110** has 3 digital inputs for Ext./Aut. Reset and for Limits Blocking.

### Mechanical

Housing: Lexan UL94V-0 (Top Part)  
Noryl UL94V-0 (Base Part)  
Mounting: M36 for 35 mm DIN Rail  
IP class: Housing IP40. Terminals IP20  
CT dim.: Max 10 mm feed through  
Terminals: Max 16A. Max 2,5 mm<sup>2</sup> wire  
Max Torque 4lb/in, 0,6 Nm  
Temp.: -15 to +50 grad C  
Weight: 300 g  
Dimensions: D 58 x W 70 x H 86 mm  
UL certificate: UL508. File: E194022

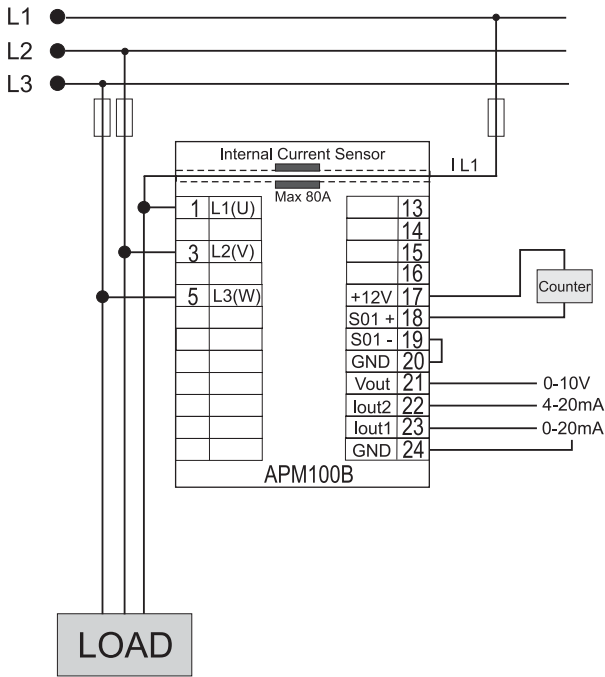
### Technical data

Voltage range.: 3x380-3x500Vac  
Current range: Internal CT: Max 80Aac  
External CT: N/5A  
kW range: Max 70 kW  
Frequency: 45-65 Hz  
Relay ratings: 250V/5Aac. SPDT  
Analog output 1: 0-20 mA max 300 ohm  
Analog output 2: 4-20 mA max 300 ohm  
Analog output 3: 0-10V min load 1kohm  
kWh output: SO1, 300 imp/hour/fs  
CE mark to: EN50081-1, EN50082-2, EN61010-1

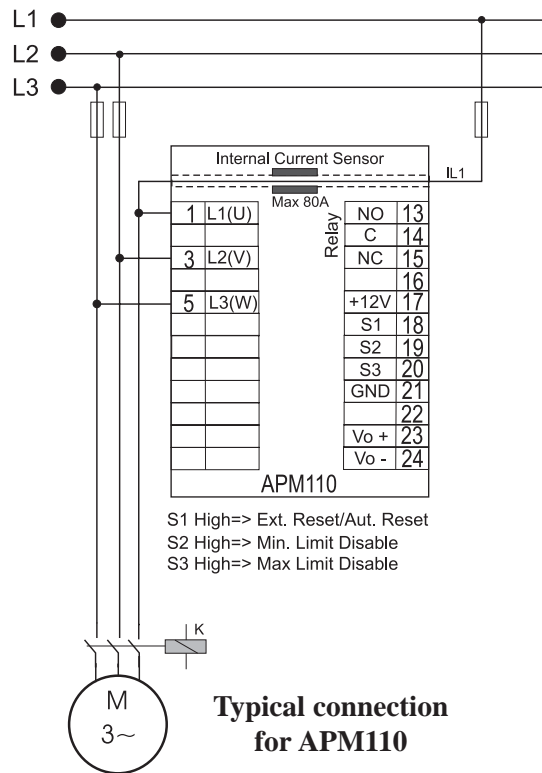
### Electrical

**Unipower**®

Leadership in Load Monitoring and Measurement

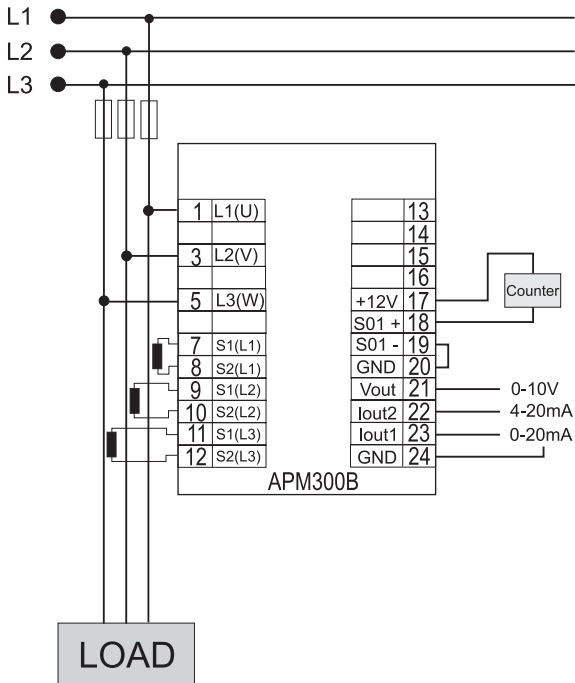


Typical connection  
for APM100B

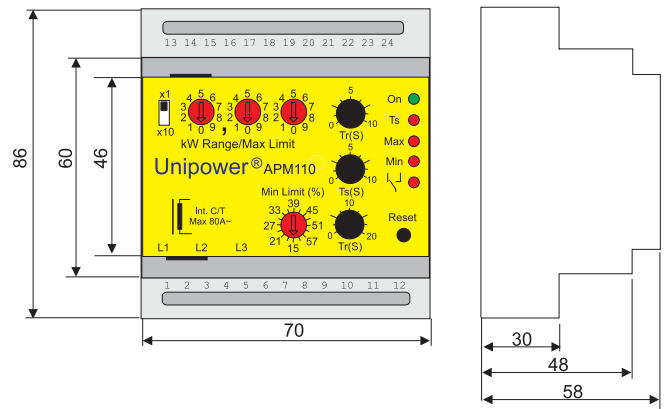


Typical connection  
for APM110

S1 High=> Ext. Reset/Aut. Reset  
S2 High=> Min. Limit Disable  
S3 High=> Max Limit Disable



Typical connection  
for APM300B



Dimensions in mm